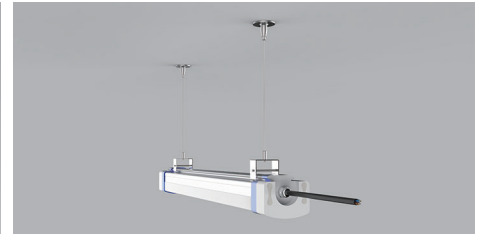
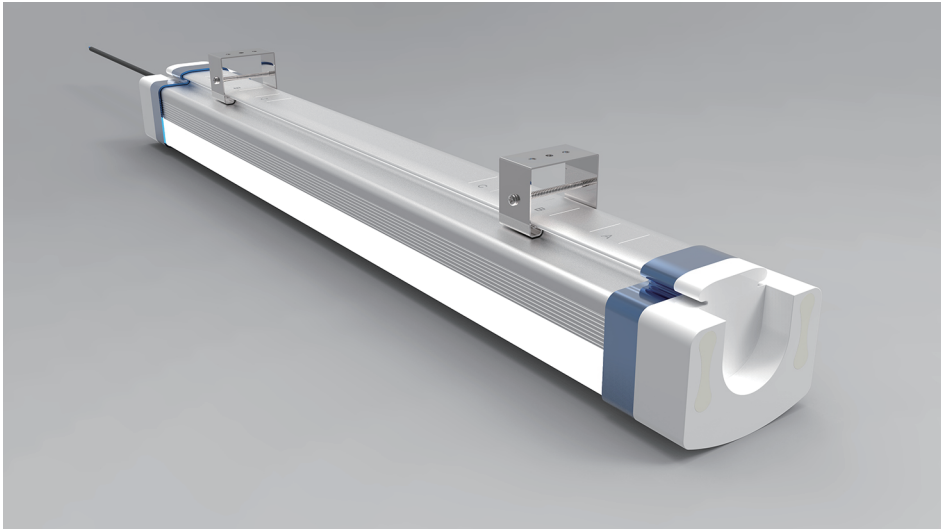
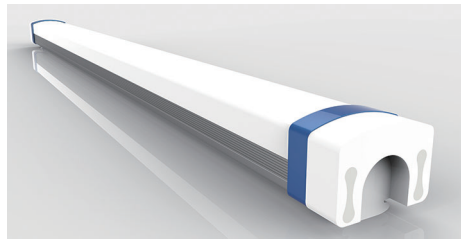


LED Tri-Proof Light Spec L01-C0 Normal Series



LED TRI-PROOF LIGHT



PLS Note : The Luminaires are intended for indoor use or under sheiter for outdoor use.



■ Matters needing attention

- ◆ Before installing the lighting fixtures, please read this instruction manual carefully.
- ◆ The lighting fixtures should be installed, connected and tested by a certified installer based on the local regulations.
- ◆ Lamps should always be installed or replaced with care.
- ◆ Please check the local voltage in accordance with the product requirements before using the product.
- ◆ Relamping only can be done when the power is off and the lamp is completely cooled down.
- ◆ When a lamp is to be cleaned, make the power off and let it cool down completely. Clean the fixture with a soft cloth and a standard PH neutral detergent. Stainless steel finishing should be maintained regularly.
- ◆ Misuse of, or changes to the fixture shall nullify the guarantee.
- ◆ Don't cover the fixtures with flammable materials.
- ◆ Exclusively replaced by the manufacturer or his service agent or the similar qualified person in order to avoid a hazard.

■ Product Number Explanation

PS: ABCDEFG-HIJK-LM
 1 2 3 4 5 6 7

- 1 Type Line
- 2 Series
- 3 Size
- 4 Power
- 5 Function
- 6 CCT
- 7 Version

PS : L011200-40CO-NA

Linear,LED Tri-Proof Light,1200mm,40W,Normal,4000K,Version A.

■ Temperature Characteristics T-ambient 25 °C

Temperature	
Operating	-20~+40 °C
Storage	-40~+85 °C

■ Electrical Characteristics

Input Voltage:	AC100~277V 50/60Hz AC220~240V 50/60Hz
PF	≥ 0.99@110V / ≥0.90@230V
THD	<20%
Power Efficiency:	≥0.89



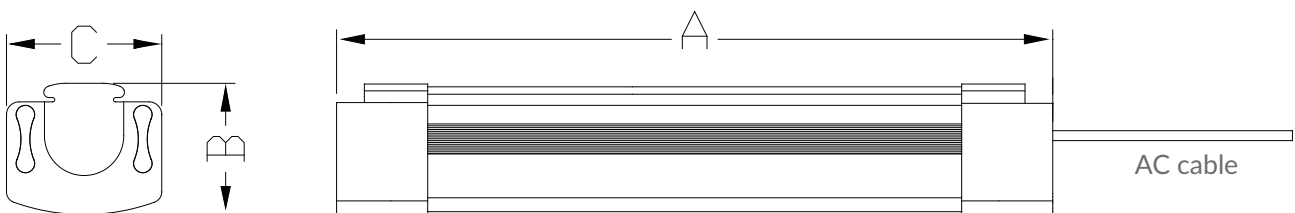
1.Features

- ◆ Patent and functional design with imaginative appearance
- ◆ Tri-proof led fixture for IP66 or IP65 water-proof,dust-proof and corrosion-proof
- ◆ Excellent heat dissipation depending on whole aluminum housing
- ◆ Widely use for ambient lighting application
- ◆ Maximum efficacy and minimum glare
- ◆ No UV ,No lead, No mercury
- ◆ High stability isolated driver
- ◆ High-tech optical design
- ◆ 5 years warranty
- ◆ CE ROHS certification

2.Application

COMMERCIAL LIGHTING	PUBLIC LIGHTING	INDUSTRIAL LIGHTING
Supermarket Exhibition hall Parking place Gas station Etc	Tunnel MTR station Train station Bus station Airport Etc	Factory/Warehouse Etc

3.Product Dimension



Model NO.	Size A(mm)	Size B(mm)	Size C(mm)	AC Cable(mm)
L010600-20CO-XX	600	71	84	800
L010900-30CO-XX	900	71	84	800
L011200-40CO-XX	1200	71	84	800
L011500-50CO-XX	1500	71	84	800
L011500-65CO-XX	1500	71	84	800
L011500-80CO-XX	1500	71	84	800



4.Parameter

Model NO.	Power (W)	Light Source	LED QTY (pcs)	CCT (K)	Frosted Lumens	Cover Lm/W	Clear Lumens	Cover Lm/W	CRI	Beam Angle
L010600-20CO-NH	20	2835	108	4000K	2400	120	2600	130	>80	120°
L010900-30CO-NH	30	2835	156	4000K	3600	120	3900	130	>80	120°
L011200-40CO-NH	40	2835	216	4000K	4800	120	5200	130	>80	120°
L011500-50CO-NH	50	2835	264	4000K	6000	120	6500	130	>80	120°
L011500-65CO-NH	65	2835	324	4000K	7800	120	8450	130	>80	120°
L011500-80CO-NH	80	2835	460	4000K	9600	120	10400	130	>80	120°

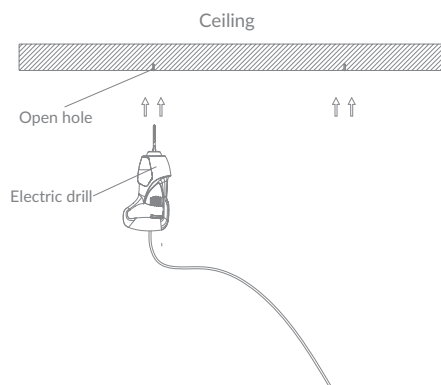
CCT Range: WW(3000K) NW(4000K) DW(5000K) CW(6500K)

Model NO.	Power (W)	Light Source	LED QTY (pcs)	CCT (K)	Frosted Lumens	Cover Lm/W	Clear Lumens	Cover Lm/W	CRI	Beam Angle
L010600-20CO-NU	20	2835	108	4000K	2800	140	3000	150	>80	120°
L010900-30CO-NU	30	2835	156	4000K	4200	140	4500	150	>80	120°
L011200-40CO-NU	40	2835	216	4000K	5600	140	6000	150	>80	120°
L011500-50CO-NU	50	2835	264	4000K	7000	140	7500	150	>80	120°
L011500-65CO-NU	65	2835	324	4000K	9100	140	9750	150	>80	120°
L011500-80CO-NU	80	2835	460	4000K	11200	140	12000	150	>80	120°

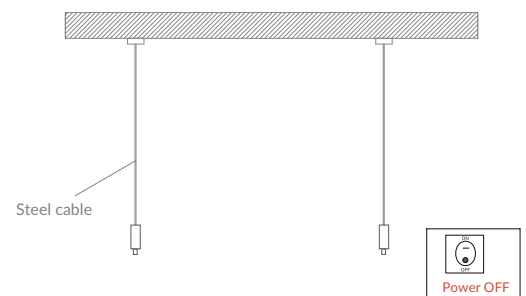
CCT Range: WW(3000K) NW(4000K) DW(5000K) CW(6500K)

5.Installation

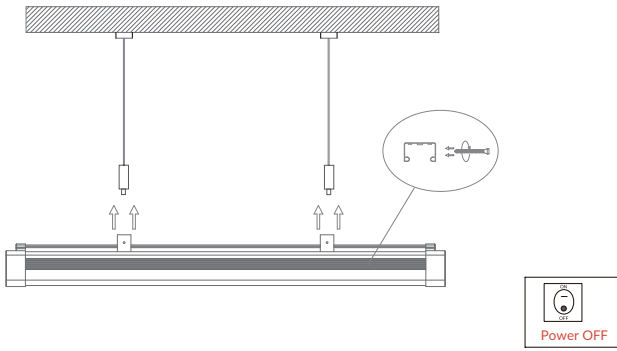
A.Suspending Mounted



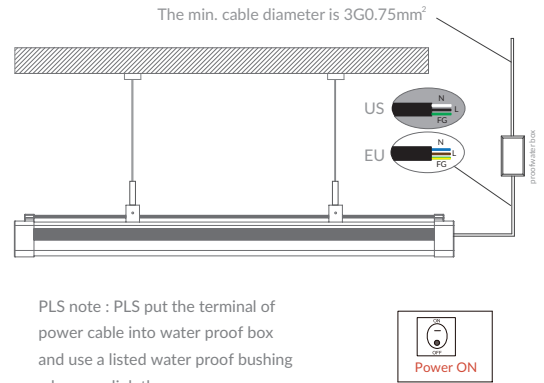
A : Make a right position and screw hole



B : Screw the steel cable onto the ceiling



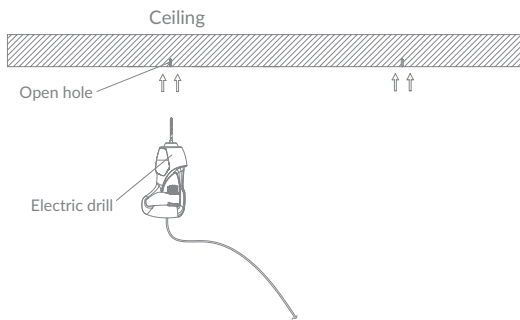
C: Hung the fixture under the steel cable and secure the fixture by steel cable



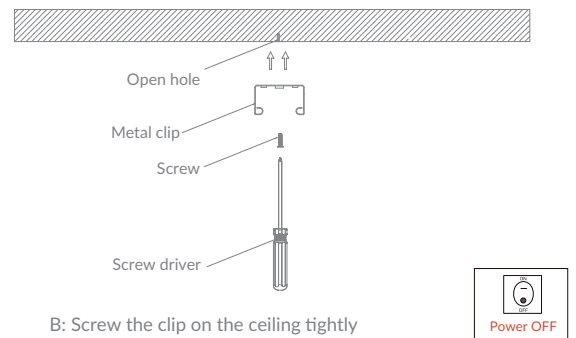
PLS note : PLS put the terminal of power cable into water proof box and use a listed water proof bushing when you link the power

D: Adjust the position of the fixture and clean it..

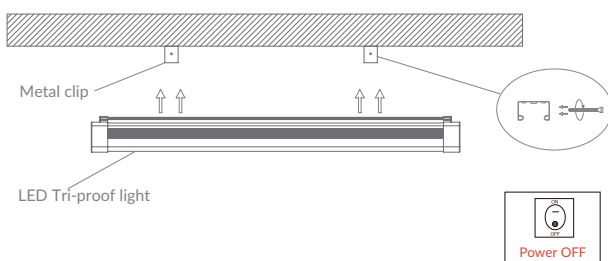
B. Ceiling Mounted



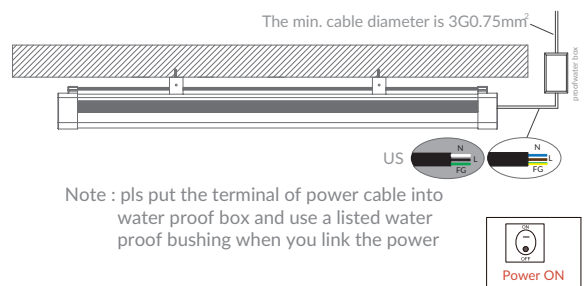
A: Make a right position and screw hole



B: Screw the clip on the ceiling tightly



C: Install the lamp into the clips.

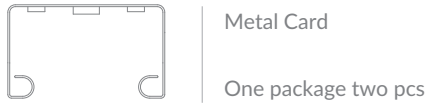


Note : pls put the terminal of power cable into water proof box and use a listed water proof bushing when you link the power

D: Adjust the position of the fixture and clean it..



◆ Pls note : Above installation“ B” belongs to our standard installation, if you want to choose our way of “A” installation then you need to select our optional accessories and pay.



Metal Card
One package two pcs

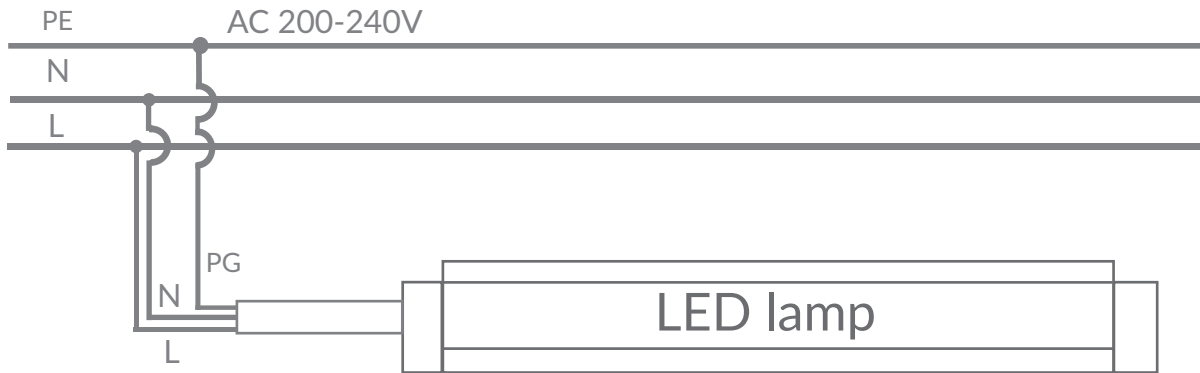
Standard accessories



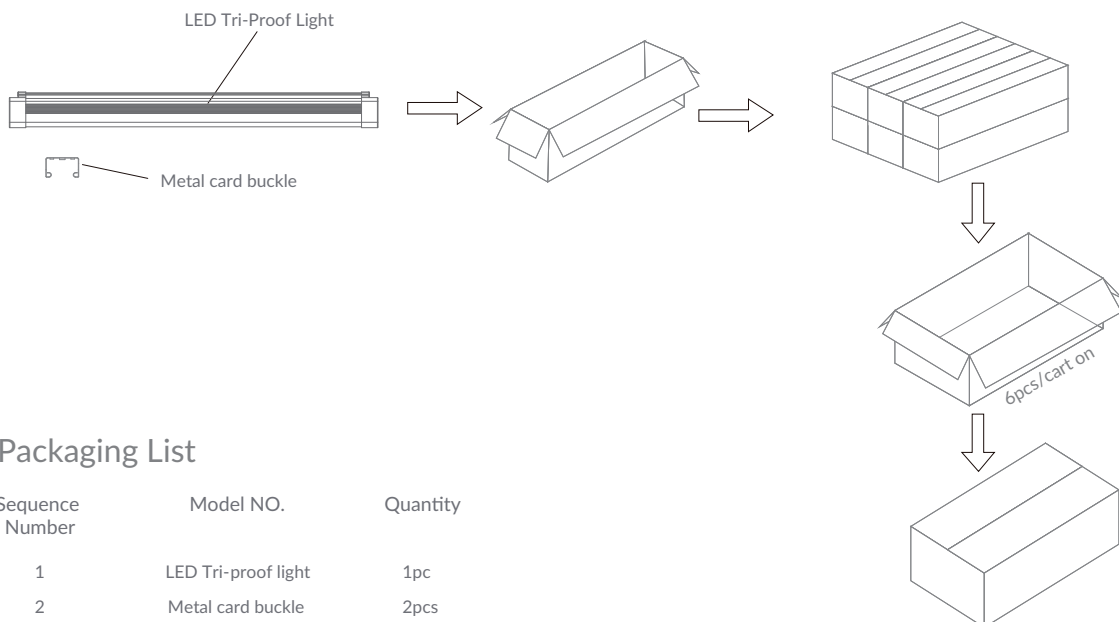
steel cable
One package two pcs

Optional accessories

6.Wiring Diagram



7.Packaging



A.Packaging List

Sequence Number	Model NO.	Quantity
1	LED Tri-proof light	1pc
2	Metal card buckle	2pcs



B.Packaging Data

Model No.	Single Box	Pcs/CTN	N .W. / pcs (kg)	G .W. /CTN (kg)	Meas (mm)
L010600-20CO-XX	1	6	1.35	9.80	690x290x215
L010900-30CO-XX	1	6	1.76	13.10	990x290x215
L011200-40CO-XX	1	6	1.23	16.50	1290x290x215
L011500-50CO-XX	1	6	2.70	20.30	1590x290x215
L011500-65CO-XX	1	6	2.75	20.60	1590x290x215
L011500-80CO-XX	1	6	3.10	22.70	1590x290x215

8.Safety & EMC

- Safety standards EN 60598-1: 2015; EN 60598-2-2: 2012; EN 62031: 2008+A1: 2013+A2: 2015; EN 62493: 2015; EN 62471: 2008;
- EMC emission Compliance to EN55015: 2013,EN61000-3-2: 2014; EN61000-3-3: 2013;
- EMC immunity Compliance to EN61547: 2009;

9. Lamp Block Diagram





10.Attention

This specification is for reference only,we reserve the right to change without notice.If you need the updated info,please contact local distributors or visit our website at <http://www.focusonled.com>.



L01 Series

 Diese Leuchte enthält eingebaute LED-Lampen.

 } LED

Die LED-Lampen können in der Leuchte nicht ausgetauscht werden.

874/2012 